



Product Description

The INFINITY GREEN unique power supply UNI-CV24DC series is one AC/DC constant voltage mode single output LED power supply. It accepts the range input 100-277VAC and provides four models with different output current, which the small wattage LED applications employ the most frequently. Exploiting Class II design and adopting the 94V-0 flame retardant metal enclosure, UNI-CV24DC-XX ideally fits the entry-level LED applications.

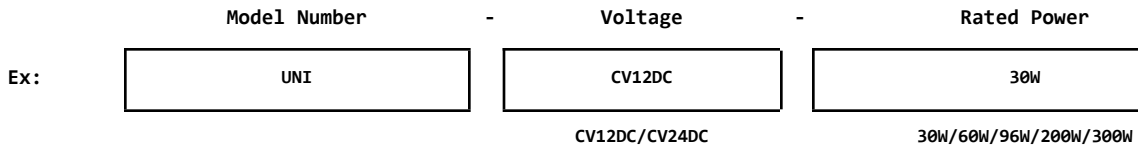
Features

Constant Voltage Design, Class II Power Unit, Protection: Short Circuit, ETL Listed, Only for Dry Location, 100% Full Load Burn-in Test, 100-277VAC/60Hz Input, Suitable for damp location, Low Cost/High Reliabilities, Compatible with ELV, MLV, Triac Dimming, 3 Year Warranty

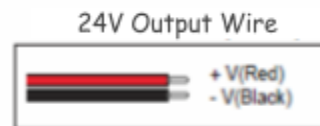
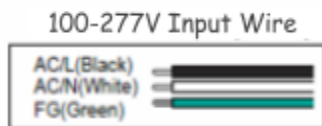
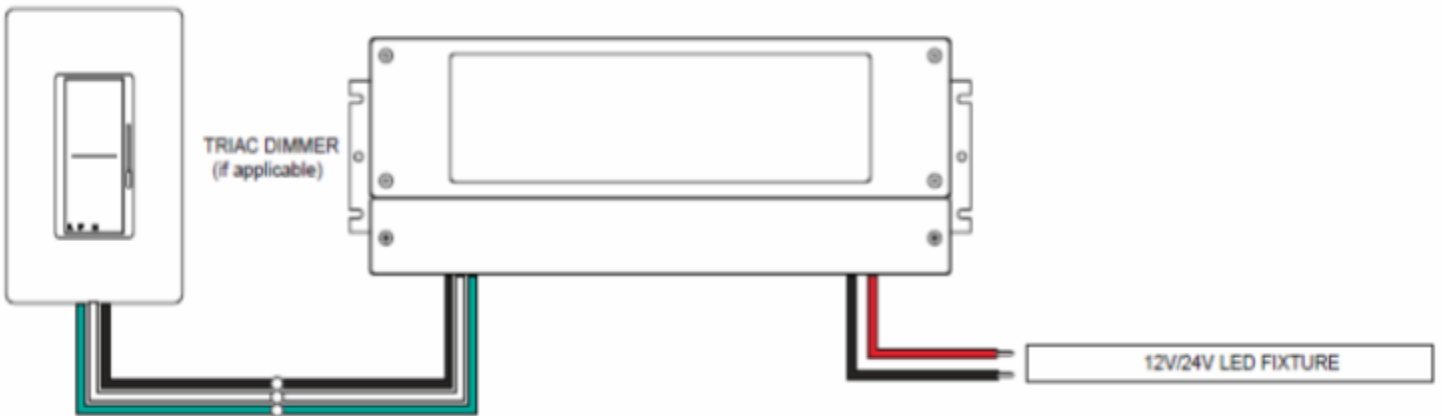
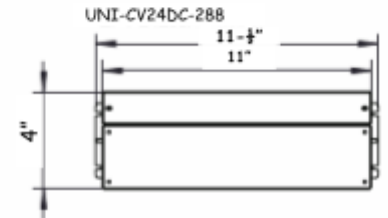
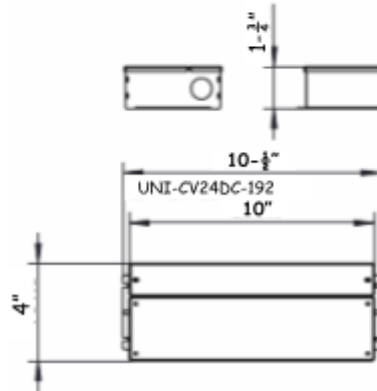
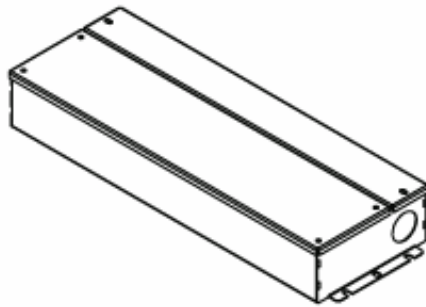
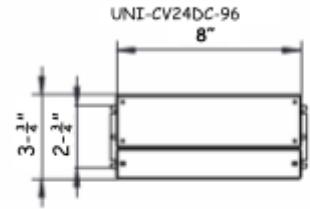
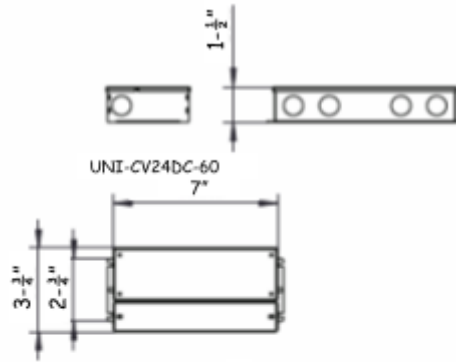
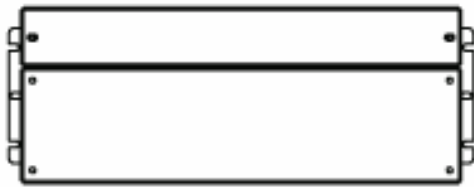
Model	Specification	UNI-CV24DC-30	UNI-CV24DC-60	UNI-CV24DC-96	UNI-CV24DC-200	UNI-CV24DC-300
Output	Rated Voltage	24V	24V	24V	24V	24V
	Operating Range	0-2500mA	0-2500mA	0-4000mA	0-8000mA	0-12,000mA
	Rated Power	60W	60W	96W	192W	288W
	Voltage Accuracy	±5%	±5%	±5%	±5%	±5%
Input	Voltage Range	100-277VAC	100-277VAC	100-277VAC	100-277VAC	100-277VAC
	Efficiency	83%	83%	83%	83%	83%
	AC Current Range	0-500mA	0-500mA	0-800mA	0-1600mA	0-2400mA
	Dimension	6-3/4" (L) x 3-3/4" (W) x 1-3/4" (H)	7" (L) x 3-3/4" (W) x 1-1/2" (H)	8" (L) x 3-3/4" (W) x 1-1/2" (H)	10-1/2" (L) x 4" (W) x 1-1/2" (H)	11-1/2" (L) x 4" (W) x 1-1/2" (H)
Protection	Short Circuit: Hiccup Mode, Recover automatically after fault condition is removed.					

Ordering Steps

-Product Purchasing Guideline -

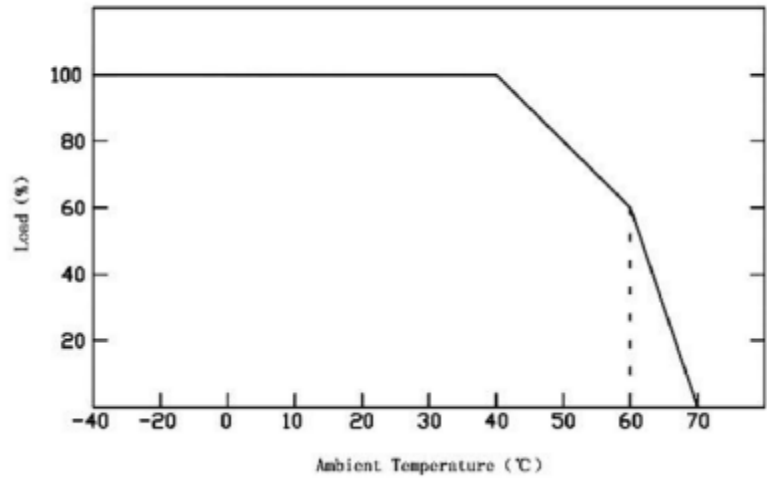
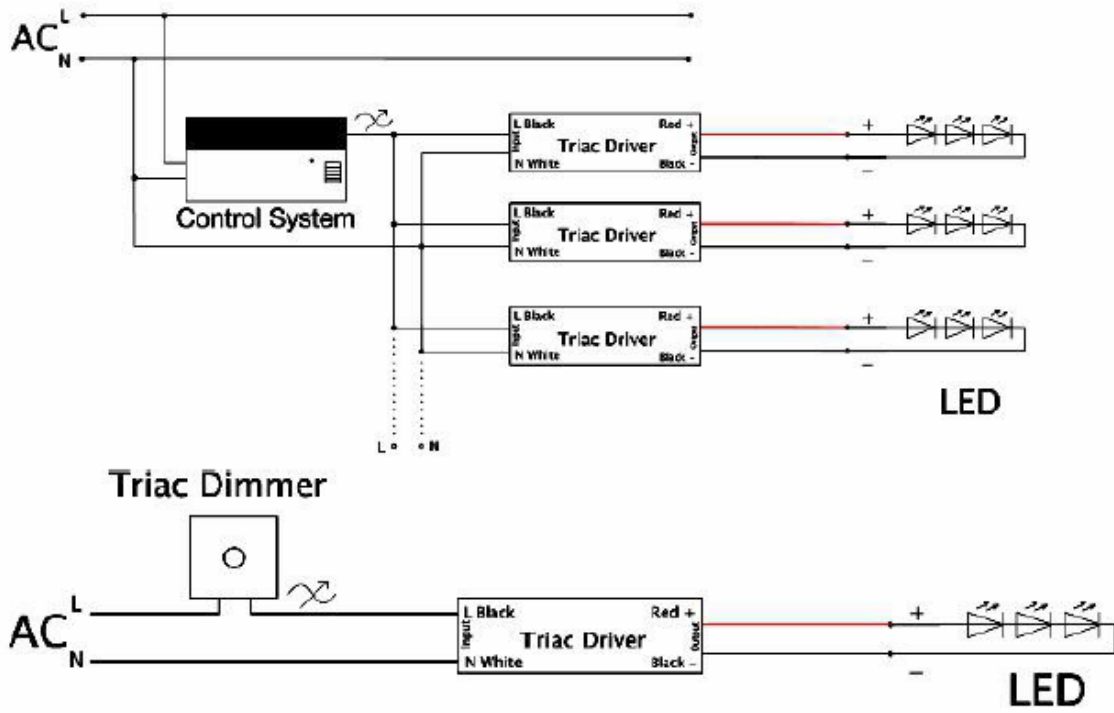


Display and Wiring Information





Infinity Green: UNI-CV24DC-XX Universal Constant Voltage Power Supply





IMPORTANT NOTE:

1. If not otherwise specified, all parameters are measured at 120VAC input, rated load, and 25°C ambient temperature.
2. To extend the driver's using life, please reduce the loading at a lower input voltage.
3. The Pulse-Width Modulation (PWM) of the output voltage can be adjusted through the input terminal of the AC phase line(L) by connecting a phase/Triac dimmer.
4. Usually matching with Forwarding phase, leading-edge, Magnetic low voltage, Triac dimmers, or Reverse-phase, trailing edge, Electric low voltage Dimmers.
5. Please try to use dimmers with power at least 1.5 times as the output power of the driver.
6. This driver should be installed by a qualified and professional person.
7. Please make sure the driver is installed with adequate ventilation around it to allow for heat dissipation.
8. Ensure that wiring is correct before the test in order to avoid light and power supply damage.
9. If the dimmable LED drivers do not work normally, please contact us for assistance at sales@infigreen.com.
10. Visit Our Official Website: www.infigreen.com